

# SPREADER N-114

TECHNICAL SPECIFICATIONS | EQUIPMENT



 **HOMOLOGATION  
EUROPEAN**



Year of model 2022

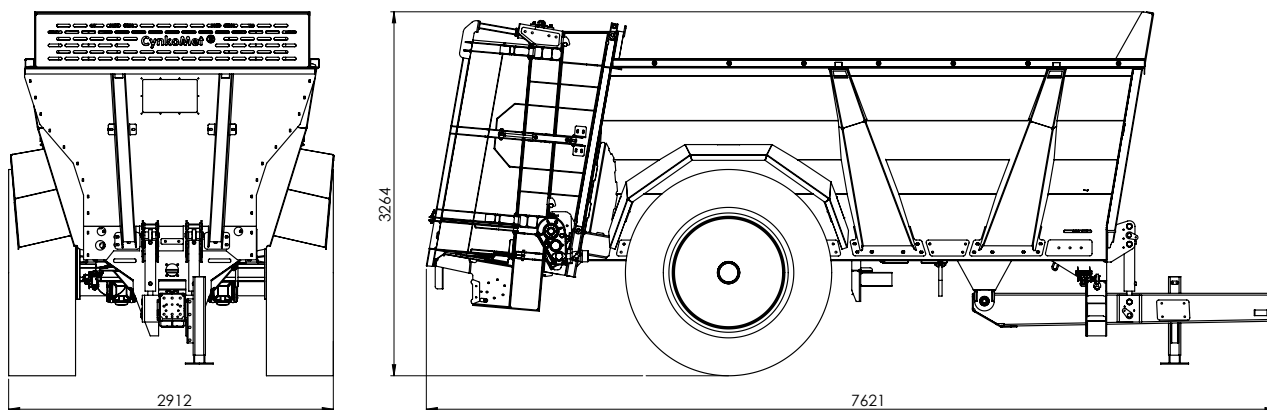
version.1.2022

**CynkoMet**<sup>®</sup>  
Czarna Białostocka

TECHNICAL SPECIFICATIONS	
Technical (designed) maximum permissible gross weight rating	21,000 kg
Gross vehicle weight rating	14,000 kg
including on axles max.	10,000 kg
including on drawbar max.	3,000 kg
Technical/administrative loading capacity	~14,360 / 7,360 kg*
Unladen mass	~6,640 kg*
Loading surface	5.45m <sup>2</sup>
cargo capacity	17.5 m <sup>3</sup>
Width of cargo box interior	1410 (bottom) mm/2470 (top) mm
Length of cargo box interior	4675 mm
Box wall height	1520 mm
Overall dimensions (length/width/height)	7700/2900/~3250 mm
Floor/wall sheet thickness	3 mm / 4 mm
Height of platform from base	1140 mm
Track of wheels	2150 mm
Suspension	rigid
Ball hitch drawbar load	3,000 kg / 4,000 kg
Tire size	580/70 R38
Design speed	30 km/h
Minimum demand for tractor power	88/120 (kW/HP)
Drawbar coupling height - bottom position	335 mm
Drawbar coupling height - top position	600 mm
Spreading width depending on manure or lime used	~18 - 24 m**

\* - unladen mass and loading capacity may vary depending on equipment

\*\* - spreading width may differ from the specified width depending on the material used



### STANDARD MACHINE EQUIPMENT

Hot-galvanized walls made of 355-grade steel sheet 4 mm thick - alloy steel with enhanced strength

Walls reinforced by galvanized 80x80x4 edge profile and brackets made of 355-grade steel sheet 4 mm thick

Wall brackets equipped with reinforced edge seal preventing damage to walls' galvanized coating

New 580/70 R38 wheels

A2V adapter - 2 balanced vertical drums with exchangeable, hot-galvanized cutters

Hot-galvanized drawbar made of 355 steel - enhanced strength alloy steel

Drawbar positioned hydraulically with two accumulators

Axles from renowned company BPW

Exchangeable screw-fastened floor made of hot-galvanized flat sheet, 3 mm thick

Exchangeable, galvanized skids of floor conveyor strips

Lighting installation connector cable with 7PIN 12V plug

12V lighting, homologated, rear bulb lamps

Hot-galvanized rear hydraulic wall raised by two actuators with pitch 1600 mm

Hydraulic advance of conveyor with stepless regulation and overload valve

Hot-galvanized 14x50 conveyor chain

Exchangeable, hot-galvanized conveyor strips made of metallurgical C65 profile

Exchangeable bottom slides of the conveyor made of oak strips, limiting noise during work

Floor conveyor powered by two transmissions, 4000 Nm each

Conveyor star wheels made of spheroidal graphite iron

Hydraulic installations made of galvanized steel tubes and flexible hoses

Hydraulic connectors to tractor, type ISO 7241-1 DN 12.5

Drive shafts coupled to articulated PTO shafts equipped with clutches protecting the transmission: friction and one-way clutches

Homologated, double-circuit, pneumatic brake system with manual braking force adjustment from HALDEX.

Hydraulic drawbar support

Hot-dip galvanized, split deflector, opened hydraulically

Two wheel chocks placed in galvanized pockets

*All of our agricultural machines are designed and tested by our design team using the latest available tools. Manufacturing is performed with the greatest diligence and in adherence to rigorous quality standards.*

### OPTIONAL MACHINE EQUIPMENT

Articulated, wide-angle PTO shaft for coupling to tractor

Full LED lighting

Ball hitch 80 mm

Hot-dip galvanized steel guard of inspection window

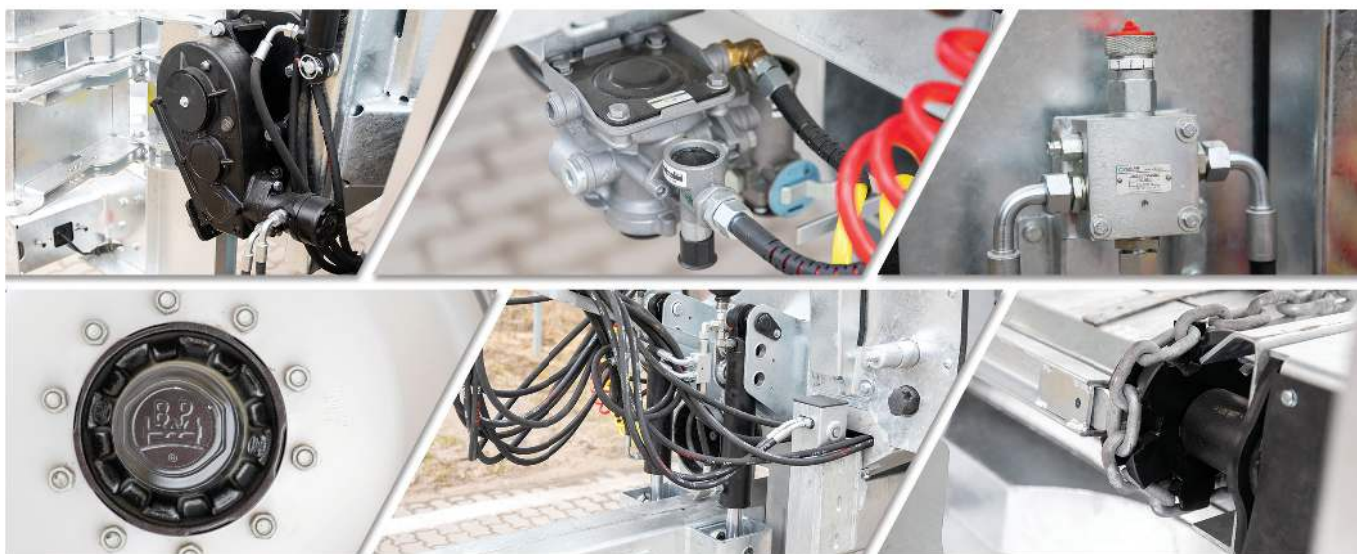
Warning triangle

Conveyor's hydraulic feed with electric control in tractor cabin

Four-section distributor controlled by lever on extension arm

Four-section distributor with solenoid valves and electric control in tractor cabin (does not apply to conveyor)

Hydraulic quick-coupler with pressure neutralizer in hose



The data and photographs given in the catalog are for illustrative purposes only. This document and the information it contains, including prices, do not constitute a commercial offer within the meaning of art. 66 of the Civil Code. This information may be subject to change as products are continuously improved. The manufacturer reserves the right to change the product's characteristics at any time. Product specifications may change without prior notice.



**HOT-  
GALVANIZED CONSTRUCTION**