

SPREADER N-200

TECHNICAL SPECIFICATIONS | EQUIPMENT



Year of model 2022

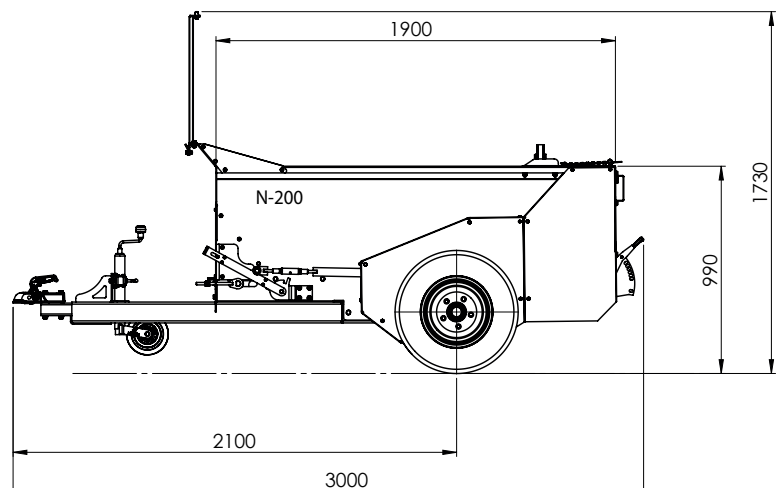
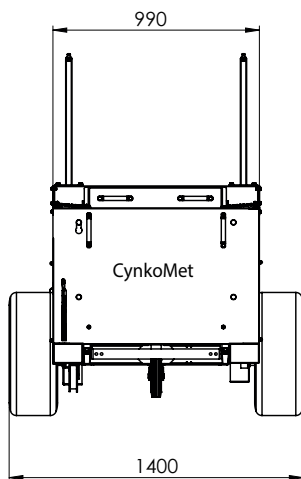
CynkoMet[®]
Czarna Białostocka

TECHNICAL SPECIFICATIONS

Load capacity	800 kg
Gross vehicle weight rating	1,210 kg
Unladen mass	410 kg
Overall dimensions length/width/height	3,000/1,400/1,730 mm
Length of cargo box interior	1,560 mm
Width of cargo box interior	700 mm
Height of cargo box	510 mm
Height of platform from base	480 mm

DETAILED SPECIFICATIONS

cargo capacity	0.6 m ³
Track of wheels	1090 mm
Suspension	rigid axle
Drawbar eye load	120 kg
Tire size	23x8.5-12 Mitas 6 PR
Design speed	rigid axle
Minimum demand for tractor power	20 km/h
Nominal height of coupling drawbar	340 mm
Spreading width depending on manure used	1 m



STANDARD MACHINE EQUIPMENT

Structural elements

A2H blade adapter powered by driving wheels

Galvanized sheet floor

Hot-dip galvanized drawbar

Galvanized adapter guard

Ball hitch

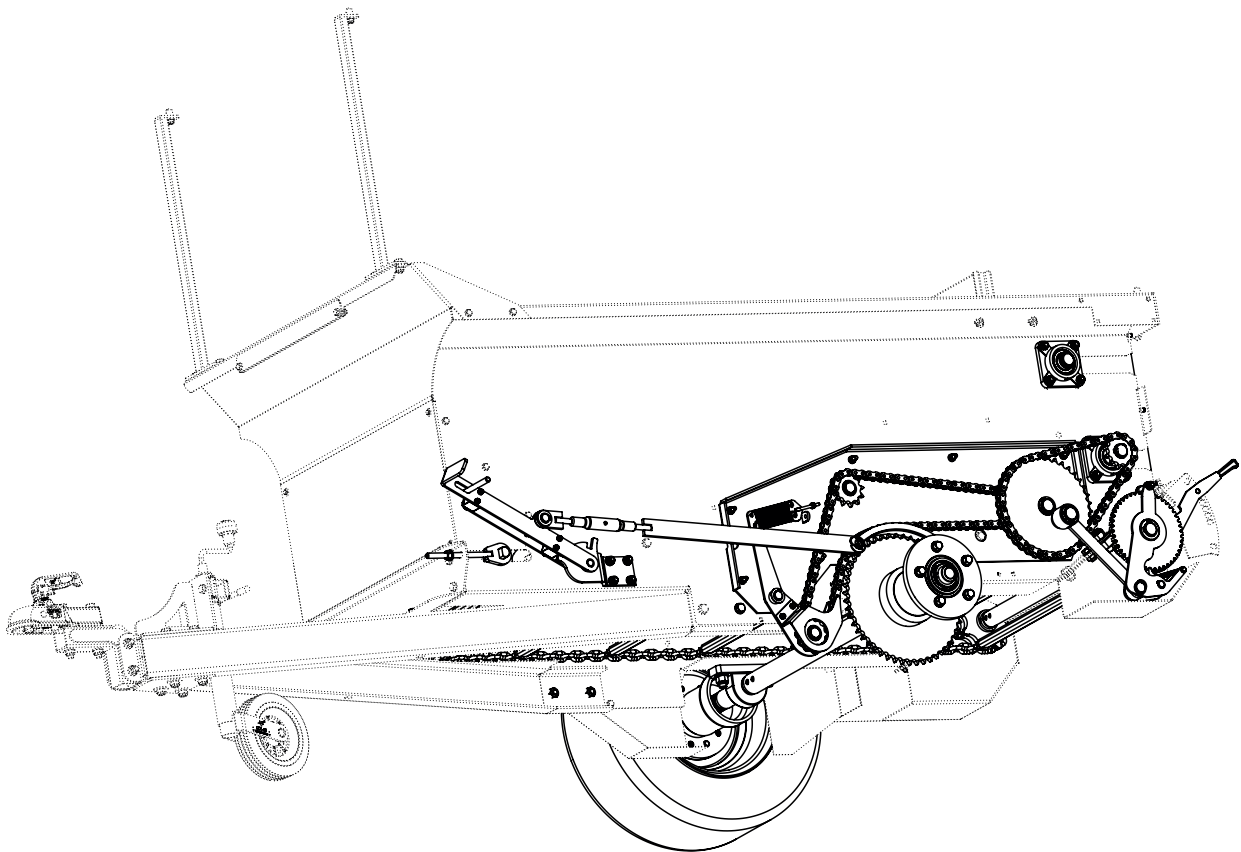
Rear wall in front of adapter

Collapsible drawbar support with rubber-coated wheel

Driving system

New 23x8.5-12 Mitas 6 PR wheels

Differential mechanism facilitating maneuvering

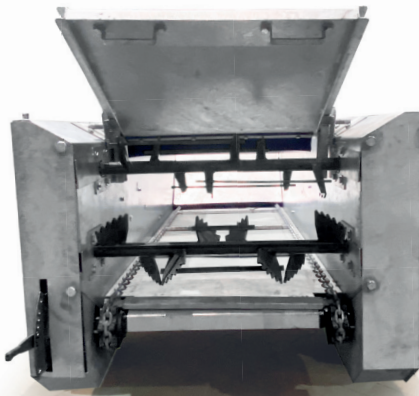


*All of our agricultural machines are designed and tested by our design team using the latest available tools.
Manufacturing is performed with the greatest diligence and in adherence to rigorous quality standards.*

OPTIONAL MACHINE EQUIPMENT

Eye hitch 40mm or 50mm

Warning triangle



The data and photographs given in the catalog are for illustrative purposes only. This document and the information it contains, including prices, do not constitute a commercial offer within the meaning of art. 66 of the Civil Code. This information may be subject to change as products are continuously improved. The manufacturer reserves the right to change the product's characteristics at any time. Product specifications may change without prior notice.



**HOT-
GALVANIZED CONSTRUCTION**