

# SPREADER N-200

TECHNICAL SPECIFICATIONS | EQUIPMENT



**WARRANTY**  
24 months



**WARRANTY**  
48 months  
on galvanised parts

Year of model 2022

**CynkoMet**<sup>®</sup>  
Czarna Białostocka

<b>TECHNICAL SPECIFICATIONS</b>	
Administrative loading capacity	<b>800 kg</b>
Technical loading capacity	<b>800 kg</b>
Gross vehicle weight rating according to PL regulations	<b>1320 kg</b>
Unladen mass	<b>~ 520 kg</b>
Number of axles	<b>1</b>
Adapter	<b>A2H - 2 horizontal shafts</b>
Length	<b>3,020 mm</b>
Width	<b>1,400 mm</b>
Height	<b>Transport/working speed 1100 / 1730 mm</b>
Length of loading space ext. (góra)	<b>1,560 mm</b>
Width of loading box interior	<b>700 mm</b>
Height of loading box walls	<b>520 mm</b>
Height of platform from base	<b>480 mm</b>
Loading height	<b>990 mm</b>
Floor/wall sheet thickness	<b>3 / 3 mm</b>
Conveyor drive	<b>Mechanical, with road wheel</b>
Adapter drive	<b>Mechanical, with road wheel</b>
Openable side walls	<b>No</b>
<b>DETAILED SPECIFICATIONS</b>	
Loading capacity (loading 5cm above the side walls)	<b>0.6 m3</b>
Track of wheels	<b>1,170 mm</b>
Suspension	<b>Rigid axle</b>
Max. drawbar eye load	<b>120 kg</b>
Drawbar coupling height - bottom position	<b>350 mm</b>
Max. tolerable axle load	<b>1,200 kg</b>
Tyre size	<b>23x8.5-12</b>
Design speed	<b>15 km/h</b>
Minimum demand for tractor power	<b>14.7kW/20KM</b>
Spreading width depending on manure used	<b>~1 m</b>

## STANDARD MACHINE EQUIPMENT

### Structural elements

Wall height 520 mm - hot-dip galvanised

A2H blade adapter powered by driving wheels

Galvanised sheet metal floor

Hot-dip galvanised drawbar

Conveyor and adapter drive from spreader wheels. Conveyor drive with adjustable feed speed.

The rear wall in front of the adapter is hot-dip galvanised

Hot-dip galvanised adapter cover

Adapter cover folded over the front of the spreader to protect the operator

Ball hitch k50

### Construction

Collapsible drawbar support with rubber-coated wheel

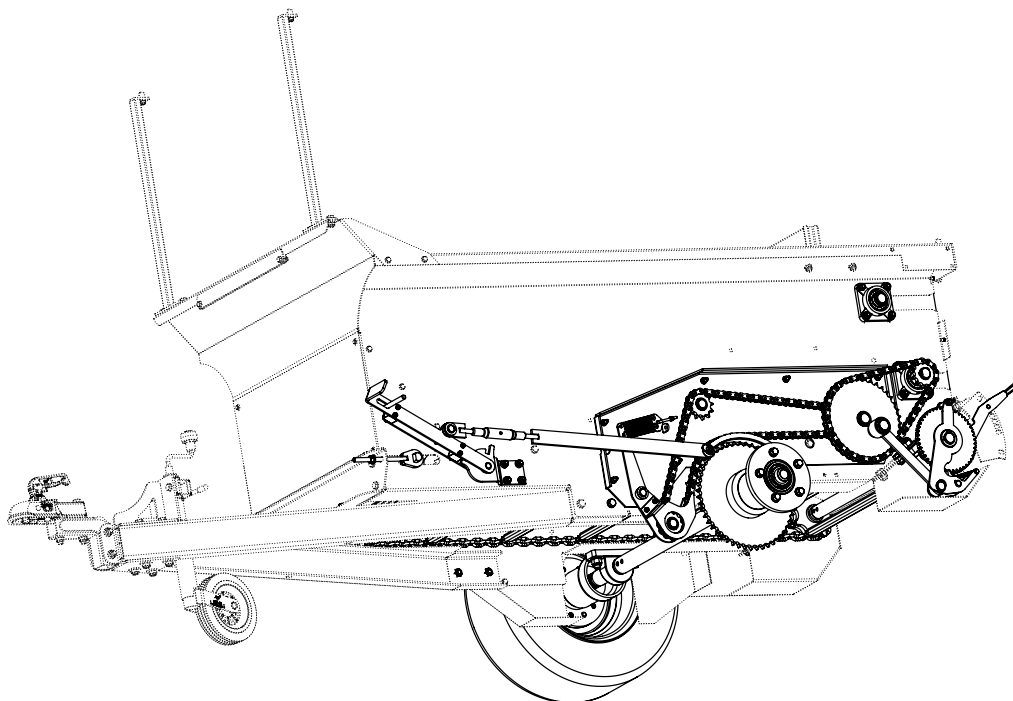
Hot-dip galvanised conveyor chain

Replaceable hot-dip galvanised conveyor slats

### Chassis

New wheels 23x8.5-12

Differential for easy manoeuvring



*All of our agricultural machines are designed and tested by our design team using the latest available tools.  
Manufacturing is performed with the greatest diligence and in adherence to rigorous quality standards.*

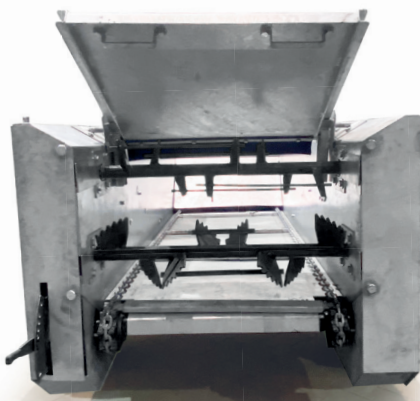
Manure spreader N-200 | **800KG**

**OPTIONAL MACHINE EQUIPMENT**

Eye hitch 40mm or 50mm

Warning triangle

The data and photographs given in the catalogue are for illustrative purposes only. This document and the information it contains, including prices, do not constitute a commercial offer within the meaning of Article 66 of the Civil Code. This information may be subject to change as products are continuously improved. We reserve the right to change a product's characteristics at any time. Products' specifications may change without notice. Realization of an order begins when a person from our sales department confirms the data contained in the order form.



HOT-DIP GALVANISED  
CONSTRUCTION

| Manure spreader N-200 | **800KG**

