

MANURE SPREADER N-221/3-4

TECHNICAL SPECIFICATIONS | EQUIPMENT



Year of model 2022

CynkoMet[®]
Czarna Białostocka

TECHNICAL SPECIFICATIONS	
Administrative loading capacity	~8,000 kg*
Technical loading capacity	~8,000 kg*
Gross vehicle weight rating according to PL regulations	11,640 kg
Unladen mass	~ 3,640 kg*
Number of axles	2 - tandem
Adapter	A4VS adapter - 4 vertical drums
Length	6,540 mm
Width	2,380 mm
Height	2,675 mm
Length of loading space ext. (góra)	4,035 mm
Width of loading box interior	2,085 mm
Height of loading box walls	1,000 mm
Height of platform from base	1,360 mm
Loading height	2,360 mm
Floor/wall sheet thickness	3/2.5 mm
Conveyor drive	Hydraulic lock
Adapter drive	Mechanical from the PTO shaft
Openable side walls	No
DETAILED SPECIFICATIONS	
Loading capacity (loading 5cm above the side walls)	8.9 m3
Track of wheels	1,700 mm
Suspension	Tandem - parabolic springs
Max. Drawbar eye load	2,500 kg
Drawbar coupling height - bottom position	420 mm
Drawbar coupling height - top position	1060 mm
Max. tolerable axle load	1. - 5,000 kg, 2. - 5 000 kg
Tyre size	500/50-17
Design speed	30 km/h
Minimum demand for tractor power	66kW/90KM
Spreading width depending on manure used	~6-8 m**

* - unladen mass and loading capacity may vary depending on equipment

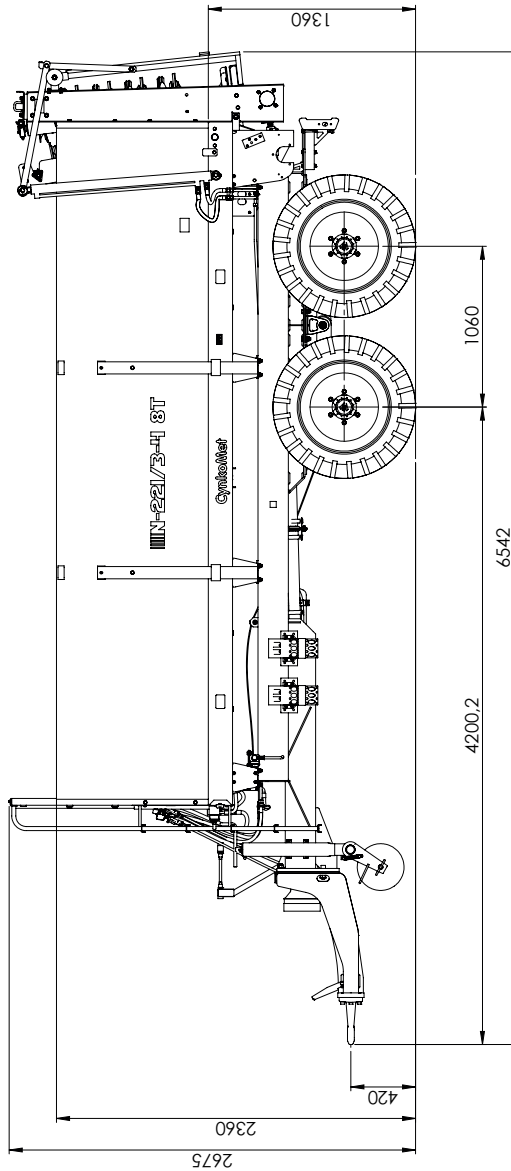
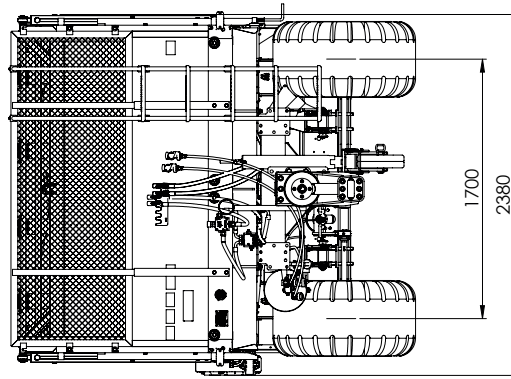
STANDARD MACHINE EQUIPMENT
Structural elements
Wall height 1,000 mm - hot-dip galvanised
A4VS adapter - 4 inclined vertical worm drums with discs and lime board, hot-dip galvanised
Exchangeable floor made of hot-dip galvanised flat sheet
Two-position drawbar for coupling with the top or bottom hitch of the tractor, with replaceable 50 mm eye, drawbar homologated according to Regulation 55 UN ECE
Hydraulic advance of conveyor with stepless regulation and overload valve
Hot-dip galvanised hydraulic rear wall
Hot-dip galvanised adapter cover
Hot-dip galvanised front guard, meeting safety requirements
Bolted drawbar diam. 50
Top and bottom frame hot-dip galvanised (structure protected on exterior and interior of profiles)
Straight drawbar support with collapsible steel wheel, partially hot-dip galvanised
hot-dip galvanised conveyor chain, link diameter 11 mm
Replaceable hot-dip galvanised conveyor slats
Parking handbrake with crank
Exterior ladder with anti-skid steps, facilitating access to loader box
Star wheels made of spheroidal graphite iron
Installations
Lighting installation connector cable with 7PIN 12V plug
12V lighting, homologated, rear bulb lamps, LED front lamps, perimeter reflectors
Two-line pneumatic brake system
Hydraulic installations made of galvanised steel tubes and flexible hoses
Hydraulic connectors to tractor, type ISO 7241-1 DN 12.5
Chassis
New 500/70-17 wheels
Axles from renowned ADR company, full beam with 80 mm square cross-section, 300x90 brake
Other elements
Two wheel chocks placed in galvanised pockets
Articulated shaft
Tandem suspension on parabolic leaf springs

All of our agricultural machines are designed and tested by our design team using the latest available tools. Manufacturing is performed with the greatest diligence and in adherence to rigorous quality standards.

OPTIONAL MACHINE EQUIPMENT
Structural elements
Hot-dip galvanised volume extensions with a hydraulic rear hatch - height 800 mm * (* it is not possible to mount the extensions together with the adapter)
Additional hydraulic distributor for tractors with two hydraulic outlets - hydraulic control of the rear wall, hydraulic drawbar support, on/off floor conveyor drive.
Hydraulic drawbar support
Deflector
Installations
Full LED lighting
Hydraulic quick-coupler with pressure neutralizer in hose
Single-line pneumatic brake system
Single-line hydraulic brake system
Other equipment
Wide-angle articulated PTO shaft
Warning triangle
Digital control - conveyor drive control, rear wall, volume hatch, hydraulic drawbar support
Conveyor's hydraulic feed with electric control in tractor cabin
Hitch tension member K80

The data and photographs given in the catalogue are for illustrative purposes only. This document and the information it contains, including prices, do not constitute a commercial offer within the meaning of Article 66 of the Civil Code. This information may be subject to change as products are continuously improved. We reserve the right to change a product's characteristics at any time. Products' specifications may change without notice. Realization of an order begins when a person from our sales department confirms the data contained in the order form.

| Manure spreader N-221/3-4 | **8 TONS**



**HOT-DIP GALVANISED
CONSTRUCTION**