

MANURE SPREADER N-221/3-1

TECHNICAL SPECIFICATIONS | EQUIPMENT



Year of model 2022

version.1.2022

CynkoMet[®]
Czarna Białostocka

TECHNICAL SPECIFICATIONS

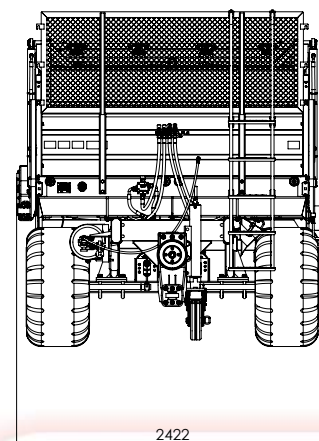
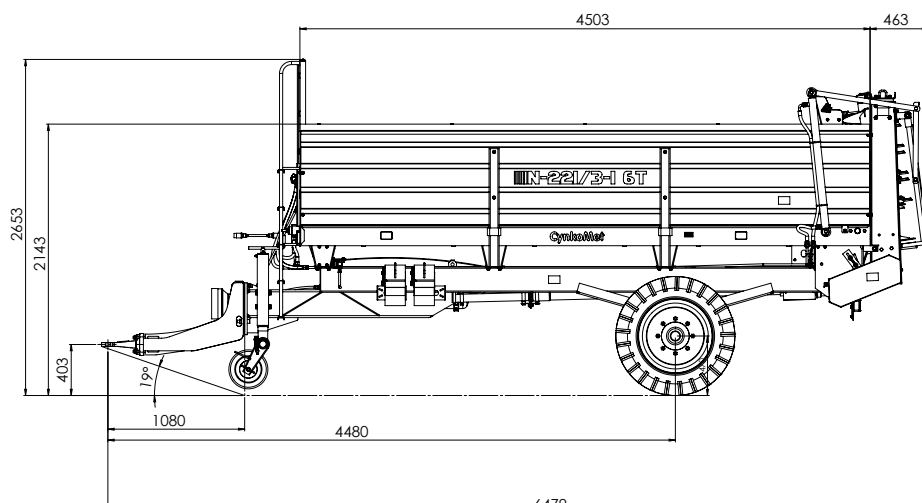
Load capacity	~6,000 kg*
Gross vehicle weight rating	9,140 kg
Unladen mass	~3,140 kg*
Length	6,530 mm
Width	2,426 mm
Height	2,650 mm
Width of cargo box interior	2,070 mm
Box wall height	800 mm
Floor/wall sheet thickness	3/2.5 mm
Height of platform from base	1340 mm

DETAILED SPECIFICATIONS

Loading surface	8.8 m ²
cargo capacity	6.7 m ³
Track of wheels	1,800 mm
Drawbar coupling height - bottom position	390 mm
Drawbar coupling height - top position	1,030 mm
Max. tolerable vertical load on drawbar	2,500 kg
Max. tolerable load on driving axle	6,700 kg
Suspension	rigid axle
Drawbar eye load	max 2,500 kg
Tire size	500/50 R17
Design speed	30 km/h
Minimum demand for tractor power	80 HP
Spreading width	~6-7 m

* - unladen mass and loading capacity may vary depending on equipment

** - spreading width may differ from the specified width depending on the material used



STANDARD MACHINE EQUIPMENT
Structural elements
Wall height 800 mm
A4VS adapter - 4 inclined vertical worm drums with discs and lime board - hot-galvanized
Hydraulic floor conveyor drive
Hot-galvanized hydraulic rear wall
Two-position drawbar for coupling with the top or bottom hitch of the tractor, with replaceable 50 mm eye, drawbar homologated according to Regulation 55UN ECE
Top and bottom frame hot-galvanized (profiles protected on exterior and interior)
Parking handbrake with crank, link diameter 11 mm
Straight drawbar support with collapsible steel wheel, partially hot-galvanized
Hot-galvanized conveyor chain
Exchangeable floor made of hot-galvanized flat sheet
Exterior ladder with anti-skid steps, facilitating access to cargo box
Hydraulic advance with stepless regulation and overload valve
Star wheels made of spheroidal graphite iron
Installations
Lighting installation connector cable with 7PIN 12V plug
12V lighting, homologated, with bulbs, LED perimeter lighting
Two-line pneumatic brake system
Driving system
New 500/50-17 18PR wheels
Axles from renowned company - ADR
Other elements
Two wheel chocks placed in galvanized pockets
Articulated shaft

All of our agricultural machines are designed and tested by our design team using the latest available tools. Manufacturing is performed with the greatest diligence and in adherence to rigorous quality standards.

OPTIONAL MACHINE EQUIPMENT
Structural elements
Wall extensions (rear wall included in set) height 750 mm
Additional hydraulic distributor for tractors with two hydraulic sockets
Hydraulic drawbar support
Deflector
Installations
Single-line pneumatic brake system
Single-line hydraulic brake system
Other equipment
Wide-angle articulated shaft
Warning triangle



The data and photographs given in the catalog are for illustrative purposes only. This document and the information it contains, including prices, do not constitute a commercial offer within the meaning of art. 66 of the Civil Code. This information may be subject to change as products are continuously improved. The manufacturer reserves the right to change the product's characteristics at any time. Product specifications may change without prior notice.



**HOT-
GALVANIZED CONSTRUCTION**