

MANURE SPREADER N-235/2

TECHNICAL SPECIFICATIONS | EQUIPMENT



WARRANTY
12 months
without PTO shaft



WARRANTY
24 months
with purchase of PTO shaft



WARRANTY
48 months
on galvanized parts

Year of model 2022

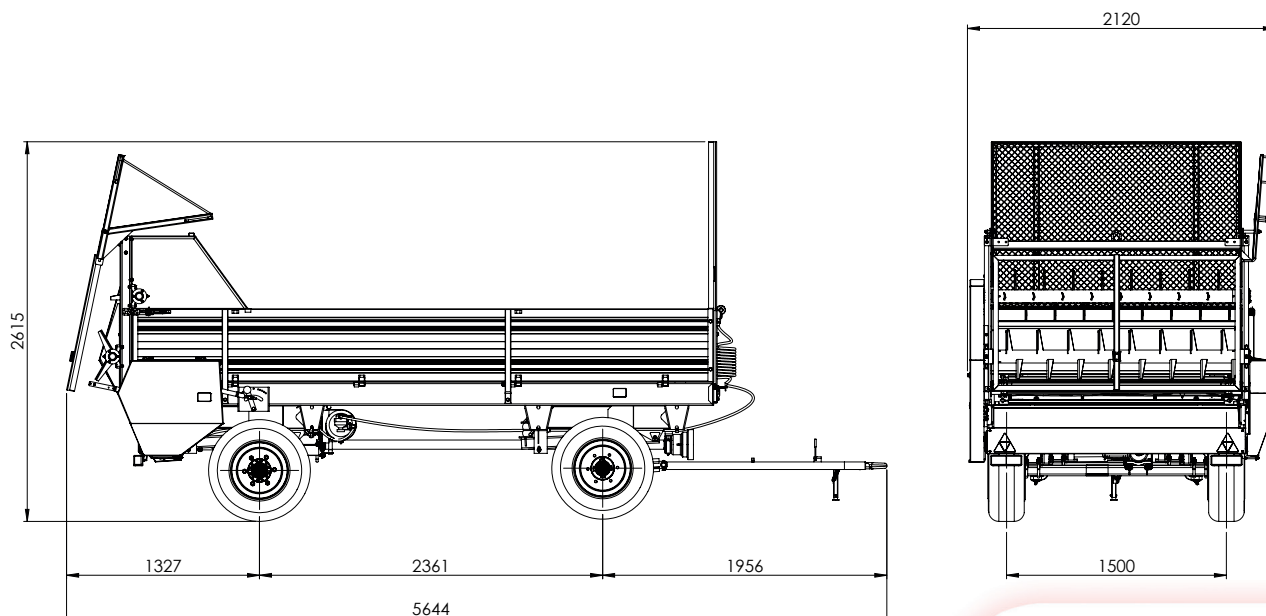
version.1.2022

CynkoMet[®]
Czarna Białostocka

TECHNICAL SPECIFICATIONS	
Load capacity	~4,000 kg*
Gross vehicle weight rating	5,840 kg
Unladen mass	~1,840 kg*
Length	5,644 mm
Width	2,120 mm
Height	2,615 mm
Width of cargo box interior	1,735 mm
Box wall height	500 mm
Floor/wall sheet thickness	4/2 mm
Height of platform from base	950 mm
DETAILED SPECIFICATIONS	
Loading surface	6.62 m ²
cargo capacity	3.19 m ³
Track of wheels	1,500 mm
Drawbar coupling height - bottom position	220 mm
Drawbar coupling height - top position	520 mm
Max. tolerable load on axles 1 and 2	3,050 kg
Tire size	10/75-15.3
Suspension	rockers
Design speed	30 km/h
Minimum demand for tractor power	45 HP
Spreading width	~2-3 m**

* - unladen mass and loading capacity may vary depending on equipment

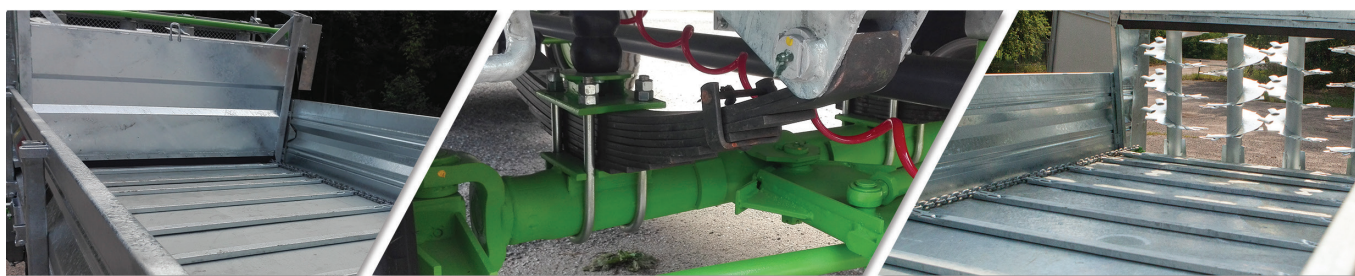
** - spreading width may differ from the specified width depending on the material used



STANDARD MACHINE EQUIPMENT
Structural elements
Wall height 500 mm - hot-galvanized
A2HS adapter - 2 horizontal worm drums - hot-galvanized
Straight drawbar for coupling to bottom agricultural hitch with eye dia. 50mm, hot-galvanized
Parking handbrake with crank
Collapsible drawbar support
Hot-dip galvanized construction of spreader
Hot-galvanized adapter
Hot-galvanized conveyor chain, thickness 11 mm
Exchangeable floor made of hot-galvanized flat sheet, thickness 4 mm
Exchangeable, hot-galvanized conveyor strips made of 50x25x3 profile
Mechanical advance of conveyor with 9-level regulation
Star wheels made of spheroidal graphite iron
Installations
12V lighting, lighting installation connector cable with 7PIN 12V plug
Single-line pneumatic brake system
Driving system
New 10/75-15.3 wheels
Axles from renowned company - ADR
Other elements
Two wheel chocks placed in galvanized pockets

*All of our agricultural machines are designed and tested by our design team using the latest available tools.
Manufacturing is performed with the greatest diligence and in adherence to rigorous quality standards.*

OPTIONAL MACHINE EQUIPMENT	
Structural elements	
Wall extensions (rear wall included in set) 500mm	
Rear wall (sideboard) 500 mm	
Hydraulic rear wall (in front of adapter)	
A4VS adapter - 4 vertical worm drums, inclined, with discs and board for lime	
Deflector for A4VS adapter	
Installations	
Hydraulic brake installation	
Two-line pneumatic brake system	
Full LED lighting	
Other equipment	
Articulated shaft for coupling to tractor	
Wide-angle PTO - articulated shaft for coupling to tractor	
Warning triangle	
Drawbar eye 40 mm	



The data and photographs given in the catalog are for illustrative purposes only. This document and the information it contains, including prices, do not constitute a commercial offer within the meaning of art. 66 of the Civil Code. This information may be subject to change as products are continuously improved. The manufacturer reserves the right to change the product's characteristics at any time. Product specifications may change without prior notice.



**HOT-
GALVANIZED CONSTRUCTION**